

PILOT SOLENOID GAS VALVES

EVO AND VM-R/OT

FEATURES 3EVO - 4EVO - 6EVO

- Class A
- Valve body: brass
- Plunger: AISI430F
- Fast opening/closing rate: (< 1s) without flow adjuster
- Pipe size: 3/8" - 1/2" - 3/4"
- Max. capacity: 4.5 Nm³/h of natural gas with $\Delta P=10$ mbar
- Max. operating pressure: 200 mbar
- Max. operating temperature: -15 °C ÷ +60 °C
- Voltage: 12/24/110/230Vac +10%-15% 50/60 Hz *
- Connector: PG09
- Power consumption: 8 VA
- Electrical protection: IP65
- Mass: 0.6 kg
- All mounting positions except coil down
- The solenoid valve has also been certified for CE-51BP2537 in according to EN161 and for following directives: 90/396/EEC (Gas Directive), 94/9/EC (ATEX Directive), 89/336/EEC (Electromagnetic Compatibility) and 73/23/EEC (Low Voltage).



CE 51BP2537

F111202

FEATURES VM-R/OT

- Class A Group 2
- Valve body: brass
- Plunger: AISI416
- Spring: AISI302
- Fast opening/closing rate: (< 1s) without flow adjuster
- Pipe size: 3/8" - 1/2"
- Max. capacity: 4 Nm³/h of natural gas with $\Delta P=10$ mbar
- Max. operating pressure: 200 mbar
- Max. operating temperature: -10 °C ÷ +60 °C
- Voltage: 115/230Vac +10%-15% 50/60 Hz *
- Connector: Pg9
- Power consumption: 12 VA
- Electrical protection: IP54
- Mass: 0.4 kg
- All mounting positions except coil down
- The solenoid valve has also been certified by GASKET n° CE-0063AQ1350 in according to EN161.



CE 0063AQ1350

F111201

* Models in stock 115/230 Vac



Headquarters
Esa S.r.l.
Via E. Fermi 40 I-24035 Curno (BG) - Italy
Tel. +39.035.6227411 - Fax +39.035.6227499
esa@esacombustion.it - www.esapyronics.com

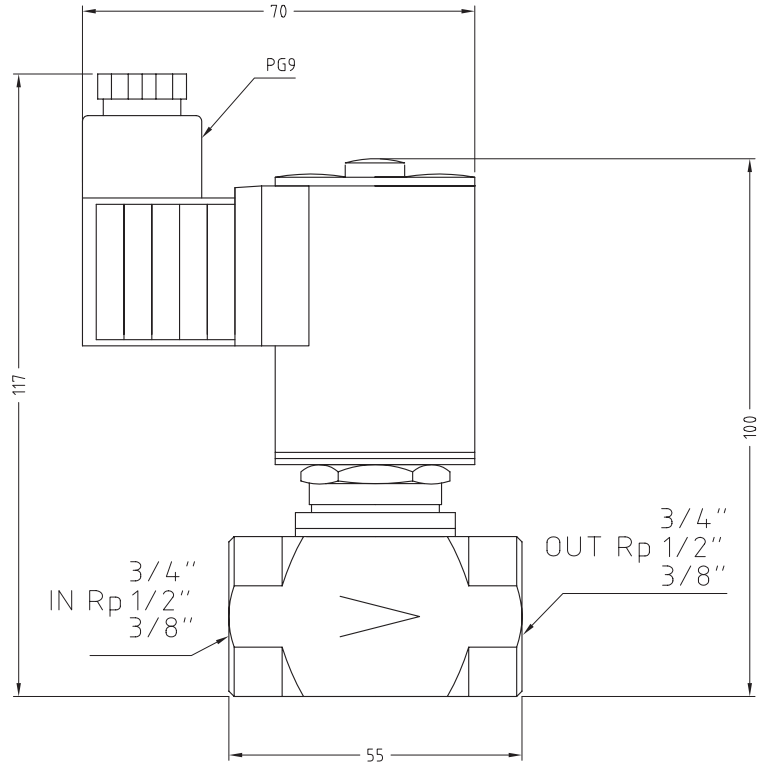
International Sales
Pyronics International S.A./N.V.
Zoning Ind., 4ème rue B-6040 Jumet - Belgium
Tel +32.71.256970 - Fax +32.71.256979
marketing@pyronics.be

INSTALLATION AND OPERATING INSTRUCTIONS (FOR ALL SOLENOID VALVES)

PLEASE READ THE FOLLOWING OPERATING INSTRUCTIONS BEFORE USE! THIS EQUIPMENT MUST BE INSTALLED ACCORDING TO THE PRESCRIPTION IN FORCE!

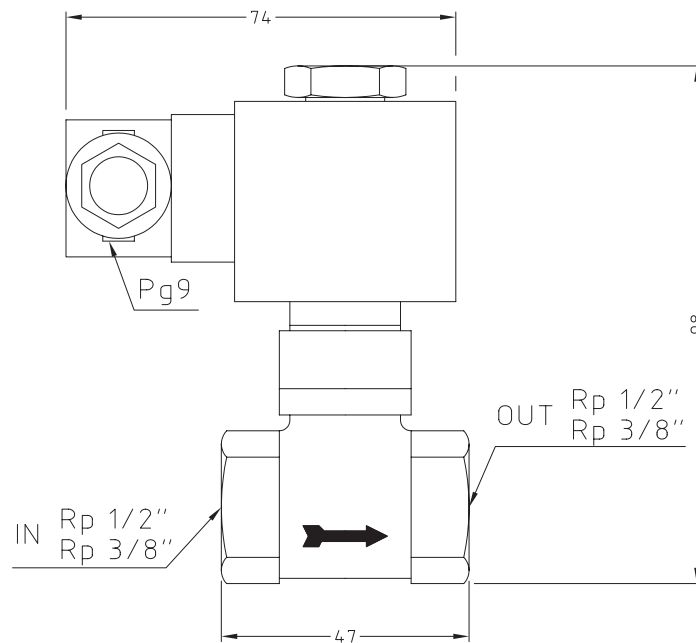
- 1) Make sure that all operating data indicated on the safety shut-off valve label correspond to those of the system;
- 2) Remove the protection plugs from the safety shut-off valve;
- 3) Before installing the safety shut-off valve, make sure that the pipeline is free from impurities and perfectly aligned with the valve body. The pipeline must be vibration free;
- 4) The sealing material must be applied to the external thread of the pipeline only and not to the internal thread of the safety shut-off valve;
- 5) The flow direction indicated by the arrow on the valve body must be respected;
- 6) The safety shut-off valve can be installed either horizontally or vertically, provided that the coil is not turned downwards;
- 7) For installing the safety shut-off valve on the pipeline, **do not use the magnet as a lever**, but use the proper wrench;
- 8) The equipment is maintenance-free.

DIMENSIONS (EVO)



D111201

DIMENSIONS (VM-R/OT)



D111202