

VALVES MANUAL RESET EG SERIES

FEATURES

- Valve body: aluminium
- Valve seat: G20 cast iron
- Seat disc: carbon steel
- Internal devices: brass
- Max. operating pressure: 2.1 ÷ 8.8 bar (according to model)
- Max. fluid temperature: 95 °C
- Max. ambient temperature: 52 °C
- Voltage: 115/230V +10%-15% 50/60Hz
- Coil rating in rush: 85 VA
- Coil rating holding: 15 VA
- Auxiliary micro switch: MOD. IS 15 A
- Closing rate: less than 1 sec
- UL file certification no.: MH5404
- Factory Mutual System approved



F110101

APPLICATIONS

- Recommended for all non-corrosive gases at high pressure

DESCRIPTION

The Model 1101-EG-L is a normally closed, manual reset, safety valve. It is designed to provide a backup shut off within 1 second of loss of electrical supply to the holding coil. When the power is re-established the valve can be manually opened. The sliding valve disc actuation keeps mating surfaces free of dirt. The position of the handle in a particular position indicates the OPEN-SHUT

status. An auxiliary single pole change-over switch is available as an optional extra. (Additional Order code designation -IS). If the valve is positioned out of easy reach the handle will be supplied reversed and a pull rope included to enable manual opening of the valve. (Additional Order code designation -P).

INSTALLATION

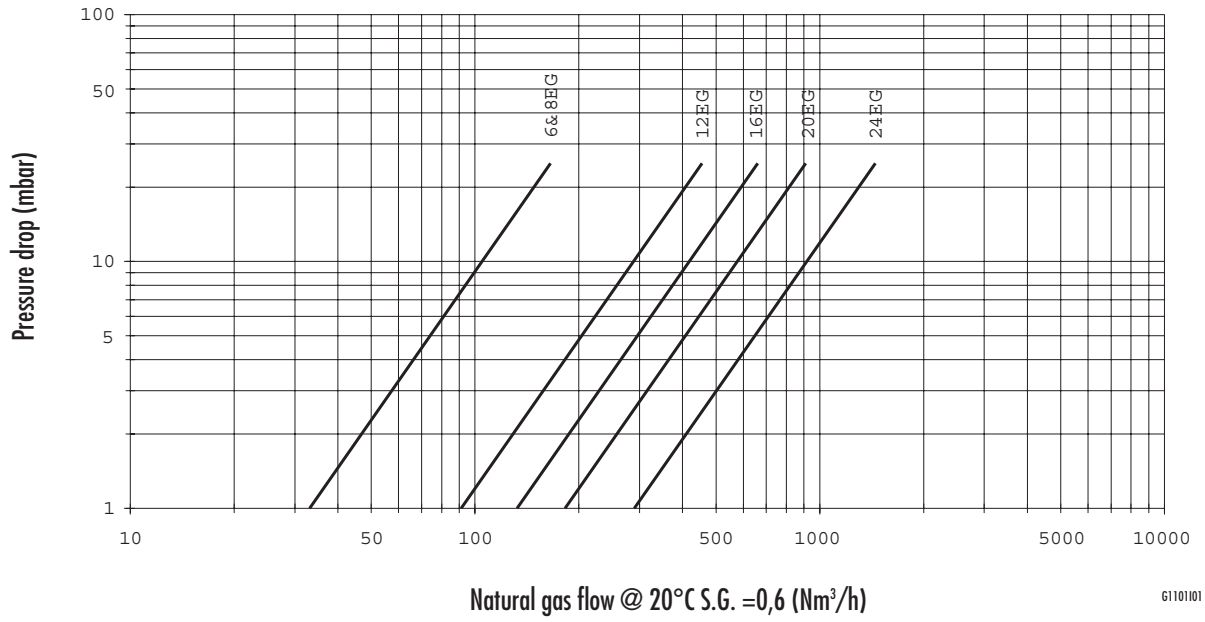
- A filter suitable for the type of fuel used must be installed up stream of any safety valve.
- Connect the gas supply to the side of the valve where the INLET is marked.
- Attention: NPT Thread. The valve must be installed with the actuator in the vertical plane only, ie. with the gas pipe horizontal.
- This valve requires lubrication as directed in the operating instructions



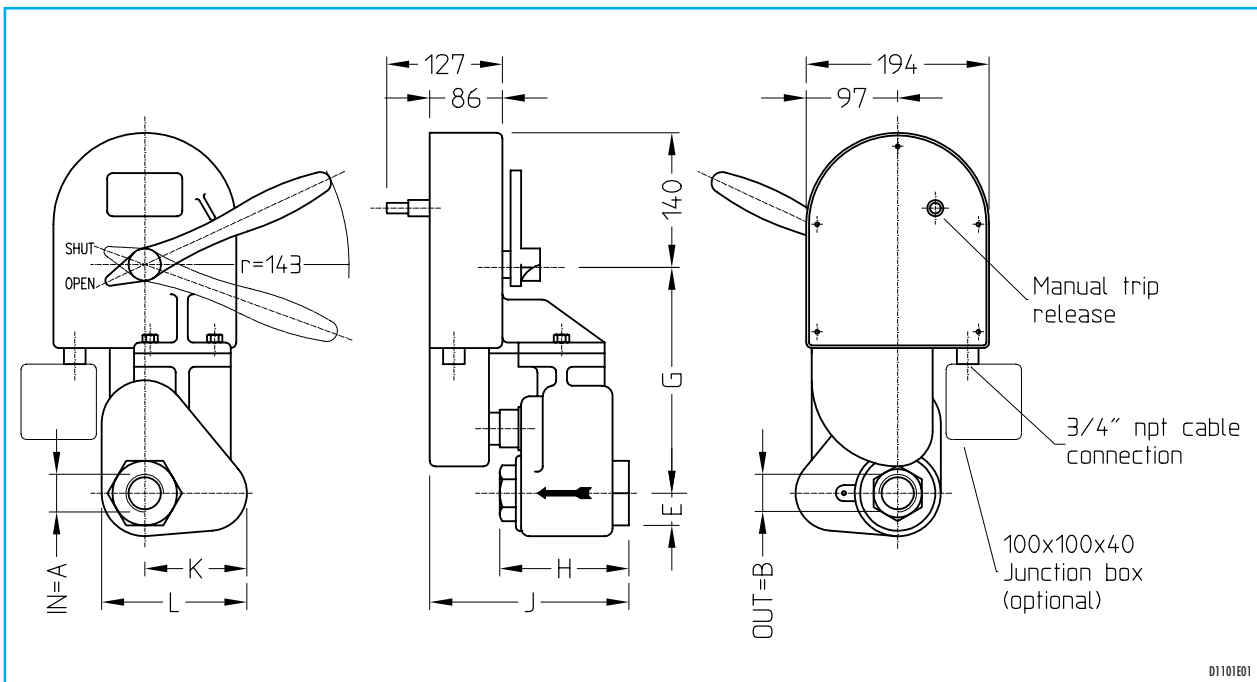
Headquarters
Esa S.r.l.
Via E. Fermi 40 I-24035 Curno (BG) - Italy
Tel. +39.035.6227411 - Fax +39.035.6227499
esa@esacombustion.it - www.esapyronics.com

International Sales
Pyronics International S.A./N.V.
Zoning Ind., 4ème rue B-6040 Jumet - Belgium
Tel +32.71.256970 - Fax +32.71.256979
marketing@pyronics.be

CAPACITY TABLE



DIMENSIONS



D1101E01

Catalog no.	Operating pressure bar	A / B ø npt	E mm	G mm	H mm	J mm	K mm	L mm	Mass kg
6 EG	8.8	3/4"	44	232	140	219	102	149	10.3
8 EG	8.8	1"	44	232	140	219	102	149	10.3
12 EG	7.0	1.1/2"	54	241	149	225	111	168	10.7
16 EG	3.5	2"	60	248	146	222	124	184	12.4
20 EG	2.5	2.1/2"	67	260	149	222	143	210	12.8
24 EG	2.1	3"	73	267	149	222	162	235	14.5