

LOW AND HIGH PRESSURE GAUGES SAM SERIES

FEATURES

Manometers:

- Nipple: brass OT58
- Spring: phosphor bronze
- Movement mechanism: stainless steel
- Case: AISI304
- Gaskets: rubber
- Ring: AISI304
- Electrical protection: IP55
- Max. safe pressure (full scale value): 25%
- Ambient temperature: $-30 \div 60^{\circ}\text{C}$
- Max. fluid temperature: 65°C
- Accuracy rating: I
- Whit zero adjustment

Button cock:

- Material: brass OT58
- "O" ring seal.
- Shutter housing: cylindrical
- Control: push button
- Max. operating pressure: 2.5 bar
- Operating temperature: $-10 \div 80^{\circ}\text{C}$



E571401

APPLICATIONS

- They are widely used to measure fan and blower pressures.
- Pressure controls on air and gas pipes.

DESCRIPTION

SAM gauges have dials which directly read the pressures. They may be mounted in any position. The button cock, model ROT-G protects the gauge from overpressures because the button cock activates the gauge only when necessary. As for 20°C temperature correction: for 10°C increase is 5%, for 10°C decrease is -0.5%.



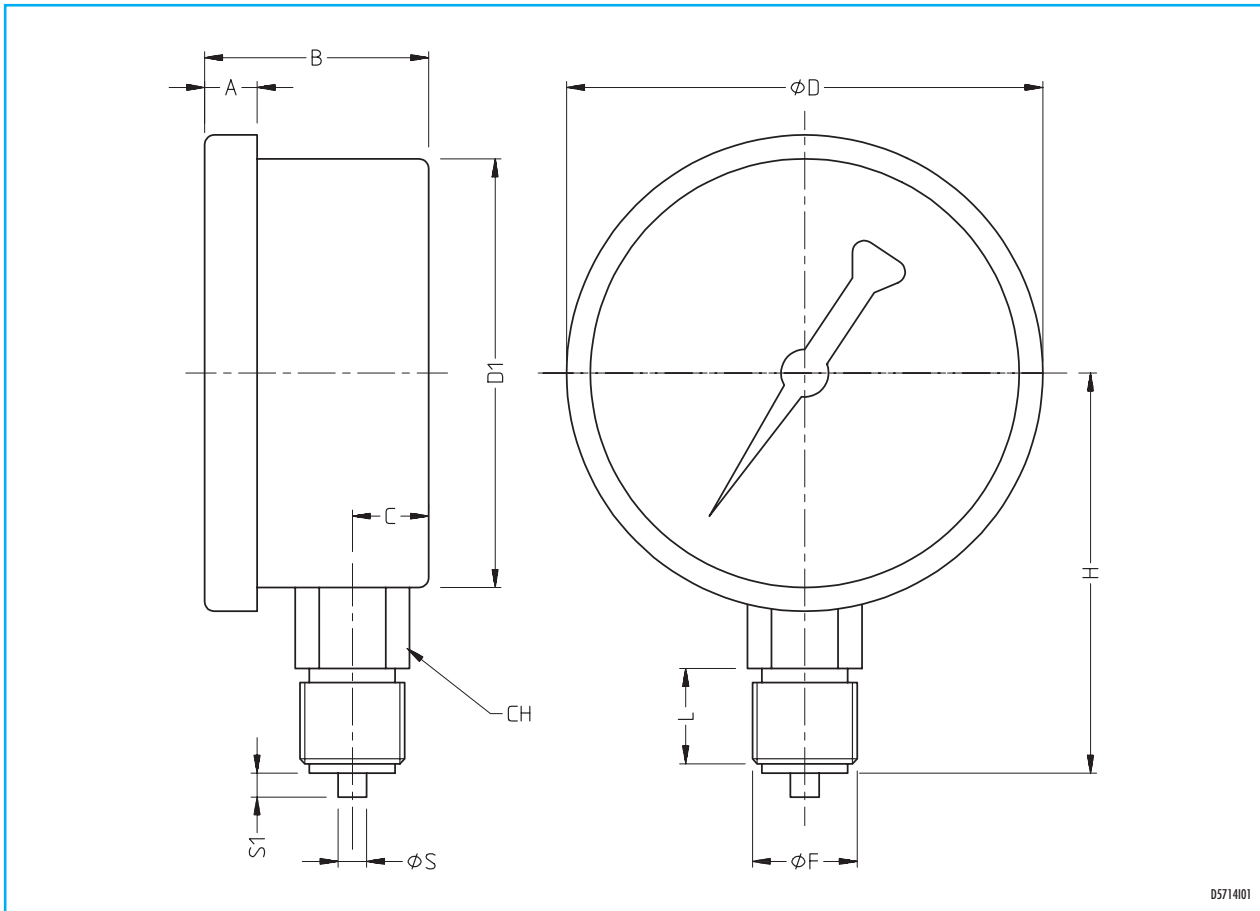
E571402



Headquarters
Esa S.r.l.
Via E. Fermi 40 I-24035 Curno (BG) - Italy
Tel. +39.035.6227411 - Fax +39.035.6227499
esa@esacombustion.it - www.esapyronics.com

International Sales
Pyronics International S.A./N.V.
Zoning Ind., 4ème rue B-6040 Jumet - Belgium
Tel +32.71.256970 - Fax +32.71.256979
marketing@pyronics.be

DIMENSIONS



D5714/01

DN	F	S mm	S _i mm	L mm	A mm	B mm	C mm	D mm	H mm	CH mm	Weight kg
100	G - 1/2" gas	6	5	20	11.5	47	16	110	86	24	0.575
	G - 1/2" npt	6	5								

CATALOG NO.	SCALE
SAM-25	0 ÷ 25 mbar
SAM-40	0 ÷ 40 mbar
SAM-60	0 ÷ 60 mbar
SAM-100	0 ÷ 100 mbar
SAM-160	0 ÷ 160 mbar
SAM-500	0 ÷ 500 mbar
SAM-1000	0 ÷ 1 bar
SAM-2500	0 ÷ 2.5 bar
SAM-5000	0 ÷ 5 bar
SAM-10000	0 ÷ 10 bar

DIMENSIONS

