

ABM RELEASES SCV SERIES ADJUSTABLE CONTROL VALVE

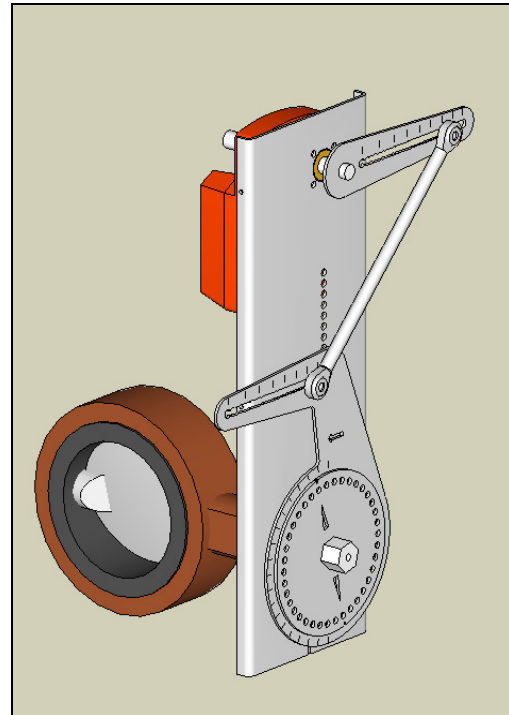
ABM has released the *SureLink* range of control valves specifically for combustion systems. The design features a unique linkage system that is easy to set. It is ideal as an air control valve when using a ratio regulator system or as a gas control valve on an excess air system.

Typically modulating control valves are coupled together with a butterfly valve, an expensive modulating motor and low quality linkage. Adjustment of the linkage is set by a trial and error with or without adjustment of the travel of the motor. When finally the valve assembly has been set, it is very difficult to record the exact 'as commissioned' configuration.

Give these shortcomings ABM has developed a mechanical linkage that enables a 90 degree damper motor to set the low fire position and range of angular travel independently. This can be thought of as a Zero & Span adjustment. When you return to service a combustion system, the valve set up can be verified against commissioned records.

Features include;

- Supplied as a complete assembly
- Low cost and simple to use
- Quick to set-up
- Accurate setting of low and high fire
- Recordable commissioned settings
- Robust design
- Rain Cover
- Open & closed limit switches



- 4-20 mA or 0 – 10V signal
- 240VAC & 24 VDC supply options
- Maintenance free rod ends
- Stainless steel arms & frame

For further details contact;

Stuart Orton
Australian Burner Manufacturers
2 Access Way,
Carrum Downs VIC 3201
Australia

stuart@australianburners.com
P: + 61 3 9770 8545
F: + 61 3 9770 8546